

## GHK-12OP-NA

### FEATURES

- SVGA (800 x 600) (400 cd/m<sup>2</sup>)
- VGA & DVI Signal Input
- OSD Control on the back Side
- DC 12V Power Input
- Integrated Industry-Standard Design
- Support Embedded Mounting



RoHS



12 inch  
TFT

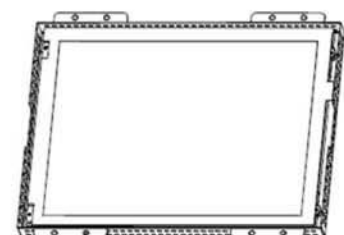
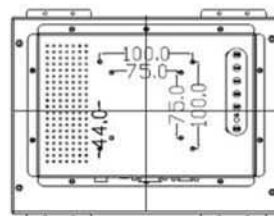
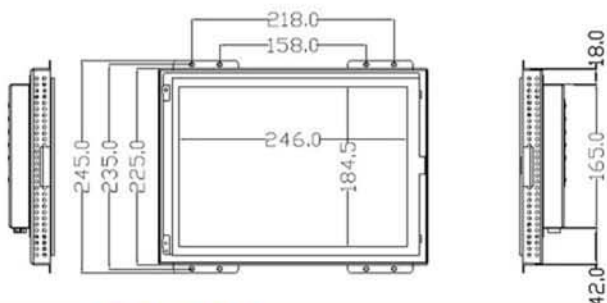
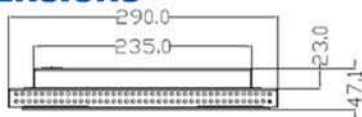


OEM  
ODM

## PRODUCT SPECIFICATIONS

LCD	
Panel Type	AU LCD Panel (Optional)
Resolution (pixel)	800*600 / 1024*768 (Optional)
Display Area (mm)	246.0(H)x184.5(V)
Brightness (nit)	400nit
Contrast Ratio	600:1
Colors	16.2M
View Angle (U/D/L/R)	50/60/70/70
Backlight Lifetime	50000hrs
OSD Control	Auto Menu Select (+,-) Exit On/Off
Touch Screen	
Type	NO(Optional)
Resolution(pixel)	NO
Transmittance	NO
Interface	
Signal Input	VGA+DVI ( 15 Pin D-sub/DVI-D Connector ) AV Input / Video Input /Auoio Input (Optional)
Touch Connectors	USB / RS232(Optional)
Power	
Power Input	DC-in 12V=4A (50~61HZ)-DC Jack (2.0mm) & 3-PIN Industrial Connectors
Power Consumption	≤48W
Mechanical	
Material	High Strength Cold Rolling Steel Chassis
Mounting	Support Embedded Mounting
Dimensions	290.0(H) x245.0(V) x 47.1(D)
Environment	
Operating Temp	-30~85C°
Storage Temp	-30~85C°
Relative Humidity	10~90% @40C° Non-condensing without touch screen
Vibration	1G peak,5~500Hz(Random)
Shock	15G peak acceleration (11msec.duration)
Rating	Facilitate installation of the demolition, solid portfolio
Ordering Information	
GHK-12OP-NA	12"Open Frame Monitor with VGA/DVI input and power adapter (400nit /800*600)
GHK-12OP-TA	12"Open Frame Touch Monitor with 5wire resistive touch screen,VGA/DVI input (450nit/1024*768)

## DIMENSIONS



### I / O PORT

