

21.5" Multi-touch & Handwriting Open Frame Monitor

Model: GHK-21OP-TC

Features

- * Full HD(1920x1080) 250cd/m²
- * VGA & DVI with HDMI Option
- * Projected Capacitive Touch Screen
- * Multi Touch Technology (10 points)
- * Handwrite Pen Touch (Optional)
- * Privacy Protection Film (Optional)
- * Back Light Adjustable Sensor(Optional)
- * Rugged Industry Design
- * Support Embedded Mounting



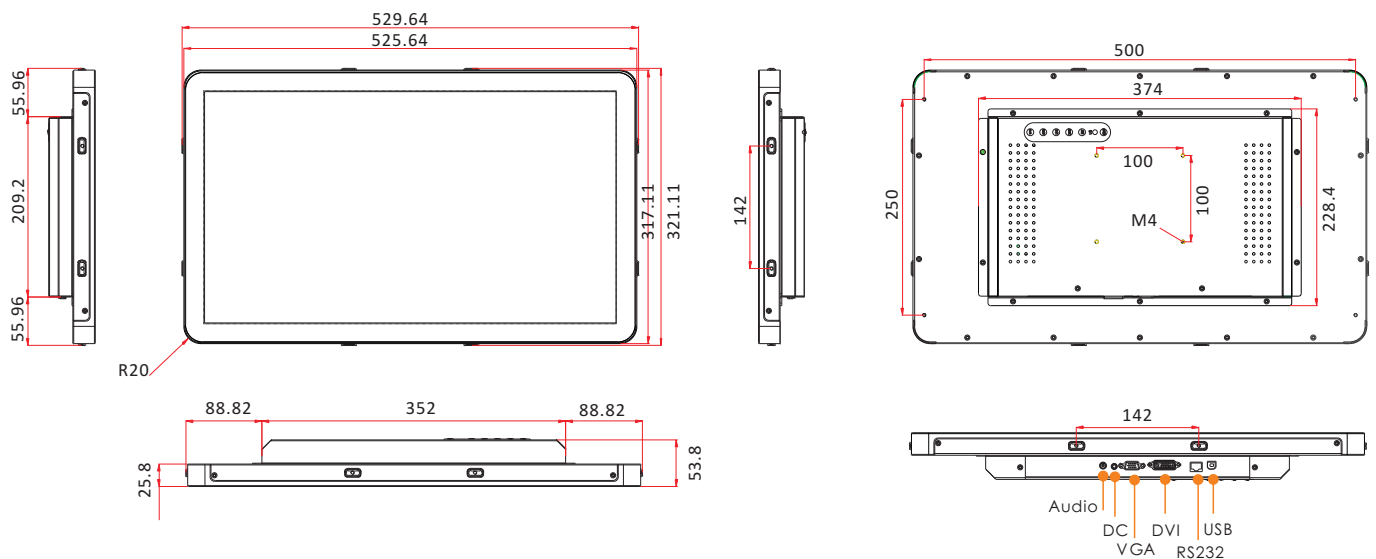
FC CE RoHS



Applications

- * VTM(Virtual Teller Machine)
- * Kiosks
- * Casino and amusement games
- * Retail self-service
- * Interactive Education

Dimension (Unit:mm)



Specifications

LCD Panel	
Panel Type	TFT-LCD Panel, LED Backlight
Resolution(Pixel)	1920 x 1080
Display Area (mm)	H: 476.64 x V: 268.11
Brightness (nit)	250 nits
Contrast Ratio	3000:1
Colors	16.7M
View Angle(U/D/L/R)	85°/85°/80°/80°
Backlight Lifetime	50,000 hours
OSD Control	Auto, Menu, +, -, Exit, Power
Touch Panel	
Type	Projected Capacitive Touch Technology
Resolution	4096 x 4096
Transmittance	87%+/-2%
Interface	
Signal Input	15Pin D-Sub VGA + DVI-D
Touch Connector	USB
Power	
Power Input	DC12V, 4.17A, DC Jack 2.0mm
Power Consumption	<=40W
Mechanical	
Material	High Strength Cold Rolling Stell Chassis
Mounting	Left/Right or Top/Bottom M4 holes
	VESA 100mm x 100mm Mount
	Support Embedded Mounting
Dimensions(mm)	529.64(W) x 53.8(D) x 321.11(H)
Enviroment	
Operating Temp.	0°~50°C
Storage Temp.	-20°C~60°C
Relative Humidity	10~90%@40°C Non-condensing
Vibration	1G peak, 5~500Hz(Random)
Shock	15G peak Acceleration (11msec.duration)
Rating	Facilitate Installation of the Demolition, Solid Portfolio
Special Function Module Option	
Pen Touch	Pressure-sensitive, Cordless, Battery-free or Battery-with
Privacy	3M or other Brand Privacy Filter
Light Control	Backlight Adjustable Sensor

Ordering Infomation

Model	Descriptions
GHK-210P-TC-0A01	21.5 inch PCT Touch
GHK-210P-TC-0A02	21.5 inch PCT Touch+Privacy Filter
GHK-210P-TC-0A03	21.5 inch PCT Touch+Pen Touch, Battery-with
GHK-210P-TC-0A04	21.5 inch PCT Touch+Pen Touch, Battery-with+Privacy Filter
GHK-210P-TC-0A05	21.5 inch PCT Touch+Pen Touch, Battery-free

To find out more about our extensive range of Ghaik open frame touch products, go to www.ghaik.com, or email to info@ghaik.com



Shenzhen Ghaik Technology Co., Ltd.

5F, Block C, Xinrui Industrial Area, Hourui, Xixiang, Bao'an District, Shenzhen China 518101

Tel: +86.755.21630010, 21630011 Fax: +86.755.21632500

Skype: monicaghaik Email: info@ghaik.com

www.ghaik.com